

ED300

520 TVL Indoor Mini Dome Color



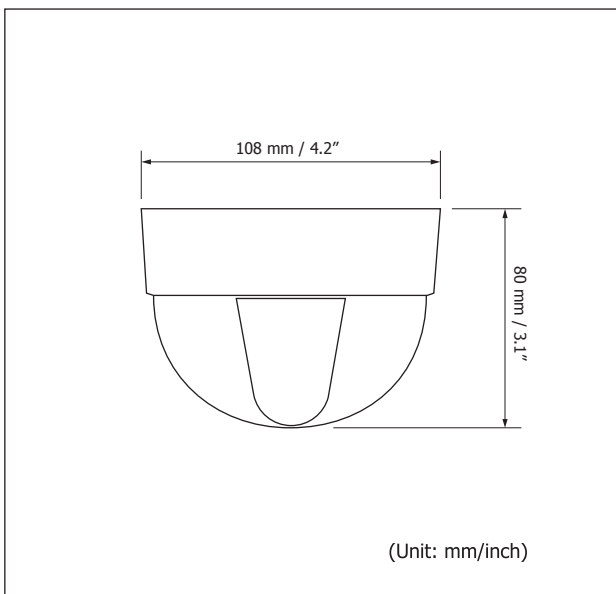
Features

- 520 TVL of horizontal resolution
- 1/3" Sony Super HAD CCD with approximately 410,000 pixels
- Light sensitivity of 0.4 Lux/F=1.2
- Simple Day/Night
- Video BNC test cable on camera module
- Intelligent backlight compensation
- Compact size for discreet surveillance
- Wide range automatic electronic shutter: up to 1/100,000
- Adjustable zoom lens for desired viewing range
- Suitable for any discreet indoor application
- Available in black, white or gold base

Specifications

Pickup Device	1/3" Sony Interline Transfer Super HAD CCD
Video Format	NTSC or PAL
Picture Format	768 x 494 (NTSC) / 752 x 582 (PAL)
Horizontal Resolution	520 TVL
Video Output	BNC 1.0 Vp-p, 75 ohm
Sensitivity	0.4 Lux/F=1.2
S/N Ratio	Over 48dB (AGC Off)
Electronic Shutter	1/50 (1/60) ~ 1/100,000 sec.
Flickerless	On/Off switch
Backlight Comp.	On/Off switch
Auto Gain Control	On/Off switch
Auto White Balance	Yes
Gamma Correction	0.45
Sync. Mode	Internal
Iris Level	Adjustable
Lens	f=3.7~12mm/F=1.2
Power Source	12VDC / 24VAC
Power Consumption	24VAC: 4.5W max. / 12VDC: 2.5W max.
Dimensions (W x H)	108 x 80 mm / 4.2" x 3.1"
Weight	0.32 kg / 0.7 lbs
Operating Temp.	0°C ~ 40°C / 32°F ~ 104°F
Humidity	20% ~ 80% humidity

Dimensions



Ordering Information

- **ED300/N:** 3.7~12mm lens, Auto Iris, 520 TVL, Gold Base
- **ED300/NB:** 3.7~12mm lens, Auto Iris, 520 TVL, Black Base
- **ED300/NW:** 3.7~12mm lens, Auto Iris, 520 TVL, White Base