

# ED330/ED230

Indoor Mini IR Dome



<b>COLOR</b> NTSC, PAL	<b>ES</b> 1/50 (1/60) ~ 1/100,000	<b>AWB</b> Yes	<b>BLC</b> Yes	<b>AGC</b> YES
<b>IR</b>	<b>380 TVL</b>	<b>480 TVL</b>	<b>POWER</b> 12VDC	



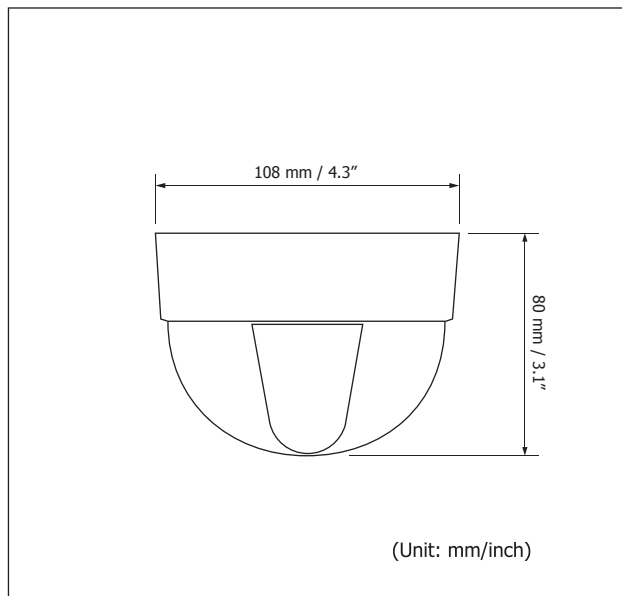
## Features

- 1/3" Sony Interline Transfer Super HAD CCD
- 380 TVL (ED230) / 480 TVL (ED330)
- Special optical low pass filter (inside) for high IR response
- Low light sensitivity of 0.4 Lux/F=1.2 (ED330) and 0.3 lux/F=1.2 (ED230)
- Automatically switches to black & white image when light level falls below 1 Lux
- Angle View: 75° range
- IR Distance: 13 meters / 45 feet
- Compact size for discreet surveillance
- Suitable for any indoor IR surveillance

## Specifications

Model	ED330	ED230
Pickup Device	1/3" Sony Interline Transfer Super HAD CCD	
Video Format	NTSC or PAL	
Picture Format	768 x 494 (NTSC) 752 x 582 (PAL)	510 x 492 (NTSC) 500 x 582 (PAL)
Horizontal Resolution	480 TVL	380 TVL
Sensitivity	0.4 Lux/F=1.2 0 Lux (IR On)	0.3 Lux/F=1.2 0 Lux (IR On)
S/N Ratio	Over 48 dB	
Electronic Shutter	1/50 (1/60) ~ 1/100,000	
Backlight Comp.	On/Off Switch	
Auto Gain Control	On/Off Switch	
Auto White Balance	Yes	
Gamma Correction	0.45	
Video Output	BNC 1.0Vp-p,75 ohm	
Sync. Mode	Internal Sync.	
Lens	f=4.3mm lens	
IR Wavelength	850nm	
IR Viewing Angle	75° range	
IR Distance	13 meters / 45 ft.	
Power Source	12VDC	
Power Consumption	200mA (IR On), 100mA (IR Off)	
Dimensions (W x H)	108 x 80 mm /4.3" x 3.1"	
Weight	181 g / 0.4 lbs.	
Operating Temp.	0°C ~ 50°C /32°F ~ 122°F	
Humidity	20% ~ 80% humidity	

## Dimensions



## Ordering Information

- **ED230/N-4B:** 380 TVL Black Mini Indoor IR Dome, 4.3mm lens
- **ED230/N-4W:** 380 TVL White Mini Indoor IR Dome, 4.3mm lens
- **ED330/N-4B:** 480 TVL Black Mini Indoor IR Dome, 4.3mm lens